

EDAC CEO FORECAST PANEL

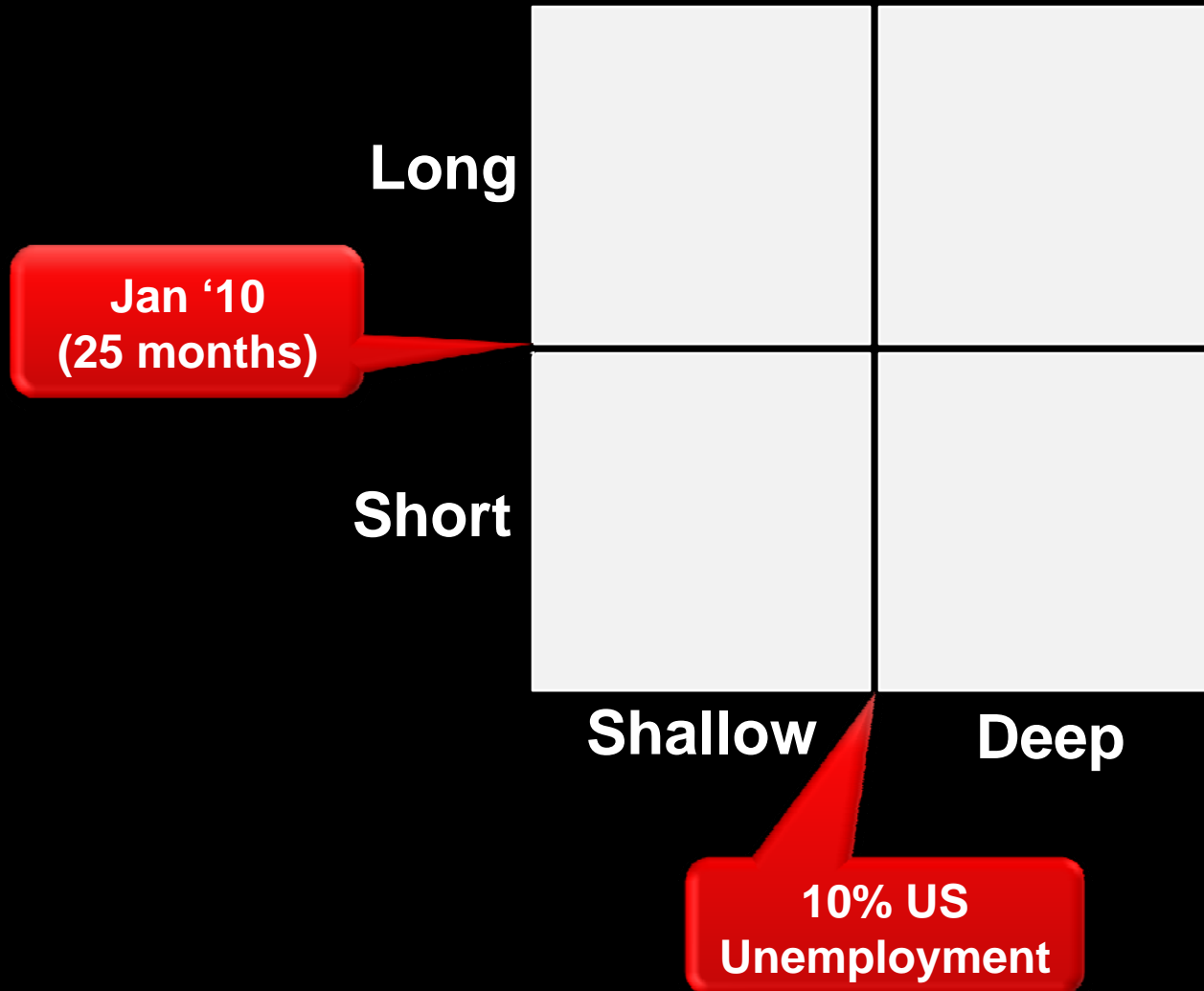
January 2009

Aart J. de Geus
Chairman & CEO
Synopsys, Inc.

Conclusion:

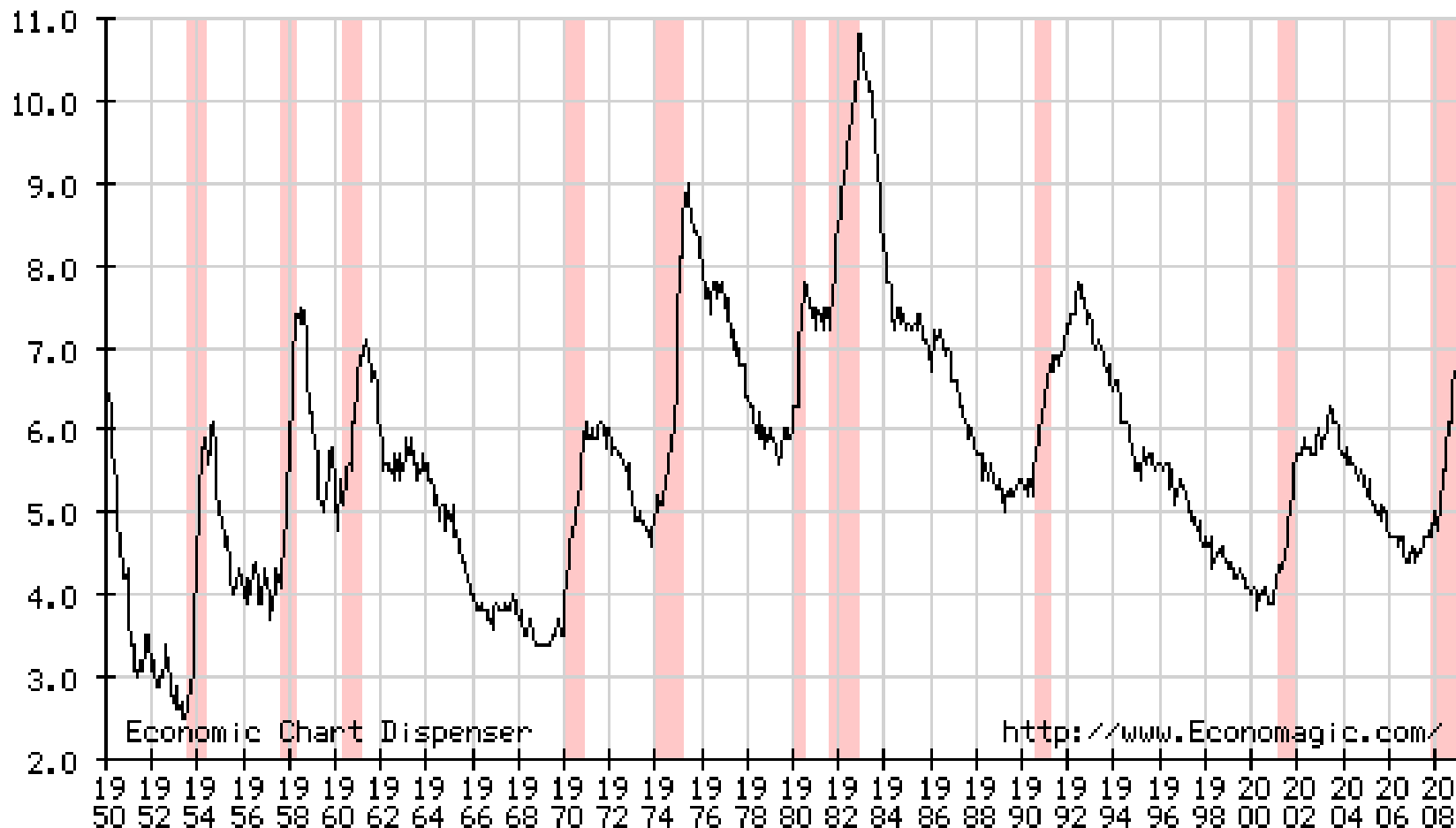


“Recession Compiler...”



Over 10% Only Once Since WW2

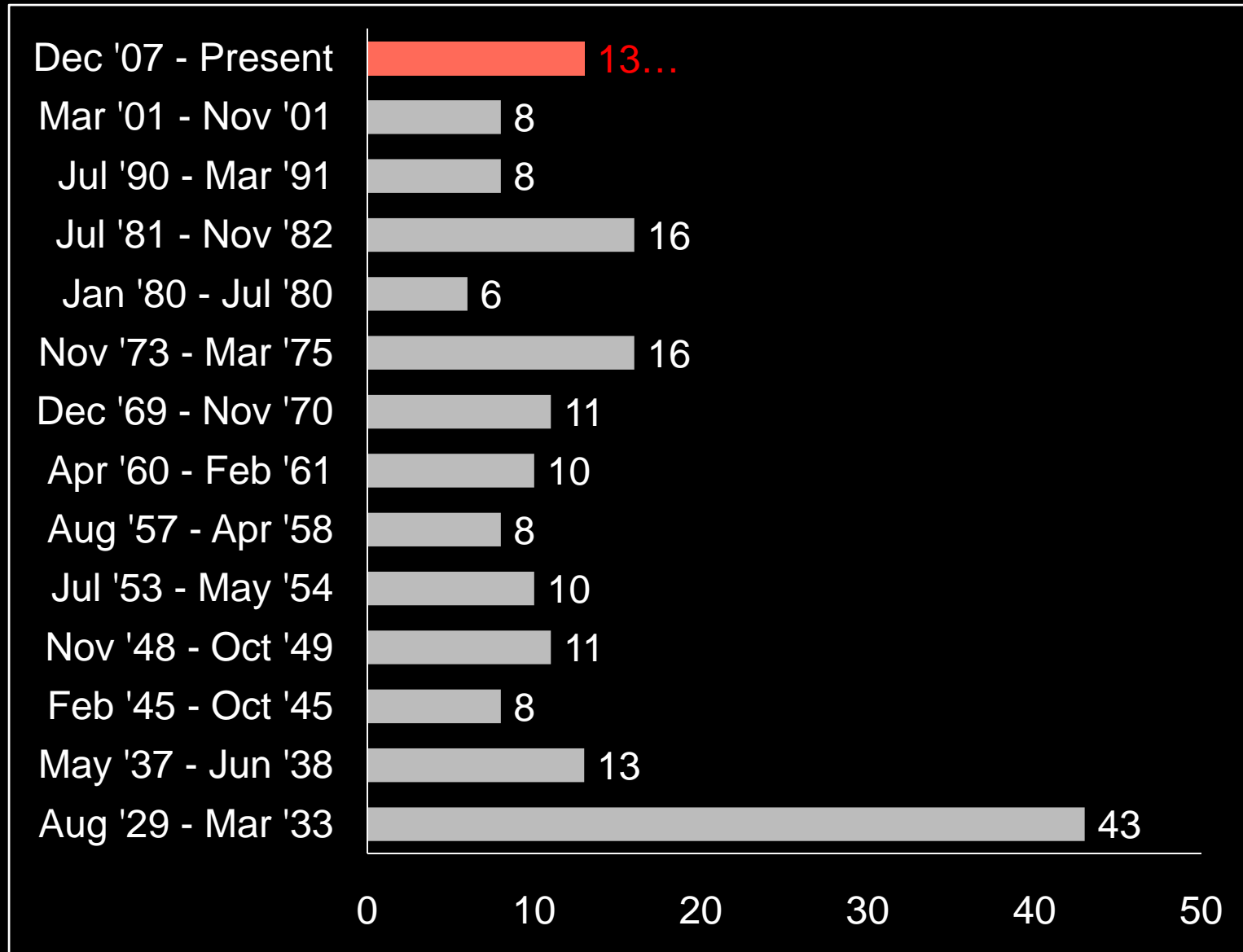
US Unemployment Rate Since 1950, Recessions in Red



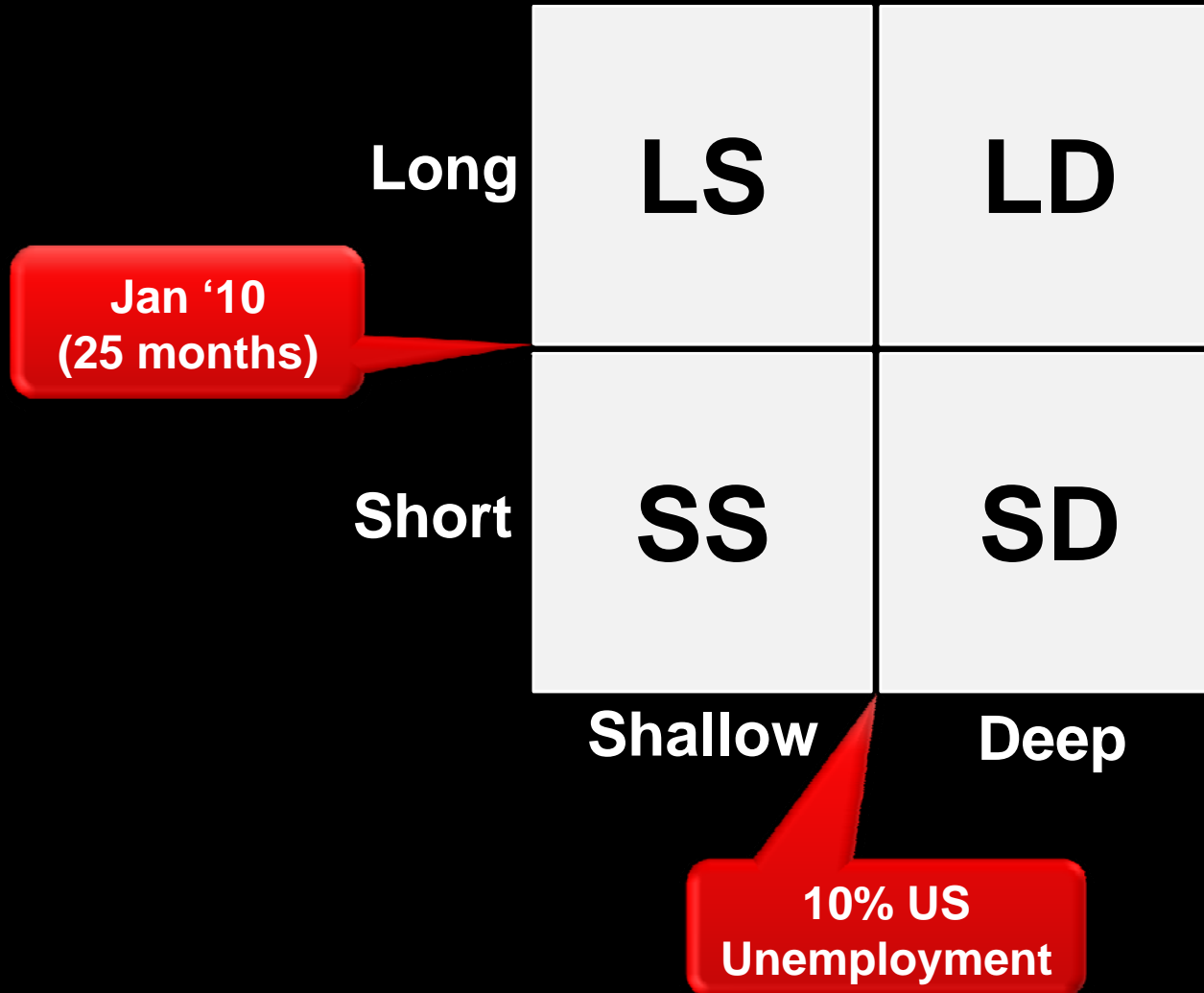
Nov '08 6.8%

Dec '08 7.2%

Length of Recession: 13 Months so far...



“Recession Compiler...”



How To Vote via SMS Text



How Will The Recession Roll Out?

Send to: 99503

- Short and shallow = ShortShallow
- Short and deep = ShortDeep
- Long and shallow = LongShallow
- Long and deep = LongDeep

Governments To the Rescue

USA	\$850B
Britain	\$450B
Ireland	\$554B
Benelux	\$44B
France	\$50B
Spain	\$111B
Germany	\$151B
Switzerland	\$66B
Russia	\$209B
India	\$41B
China	\$586B
North Korea	\$80B
Japan	\$68B

Governments To the Rescue

USA	\$850B
Britain	\$450B
Ireland	\$554B
Benelux	\$44B
France	\$50B
Spain	\$111B
Germany	\$151B
Switzerland	\$66B
Russia	\$209B
India	\$41B
China	\$586B
North Korea	\$80B
Japan	\$68B

Bailout and Stimulus:

\$2,600,000,000,000

Governments To the Rescue

USA	\$850B
Britain	\$450B
Ireland	\$554B
Benelux	\$44B
France	\$50B
Spain	\$111B
Germany	\$151B
Switzerland	\$66B
Russia	\$209B
India	\$41B
China	\$586B
North Korea	\$80B
Japan	\$68B

Bailout and Stimulus:

\$2,600,000,000,000

Loan Guarantees:

\$2,700,000,000,000

Governments To the Rescue

USA	\$850B
Britain	\$450B
Ireland	\$554B
Benelux	\$44B
France	\$50B
Spain	\$111B
Germany	\$151B
Switzerland	\$66B
Russia	\$209B
India	\$41B
China	\$586B
North Korea	\$80B
Japan	\$68B

Bailout and Stimulus:

\$2,600,000,000,000

Loan Guarantees:

\$2,700,000,000,000

EDA Stimulus:

\$32,000,000,000

Governments To the Rescue

USA	\$850B
Britain	\$450B
Ireland	\$554B
Benelux	\$44B
France	\$50B
Spain	\$111B
Germany	\$151B
Switzerland	\$66B
Russia	\$209B
India	\$41B
China	\$586B
North Korea	\$80B
Japan	\$68B

Bailout and Stimulus:

\$2,600,000,000,000

Loan Guarantees:

\$2,700,000,000,000

EDA Stimulus:

\$0.00

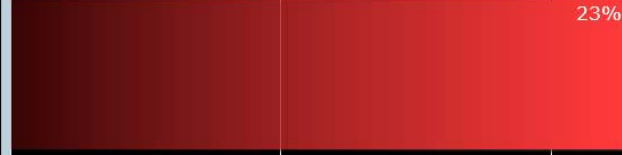
How long, how deep?

Open this poll to allow voting

Short and Shallow



Short and Deep



Long and Shallow



Long and Deep



0%

10%

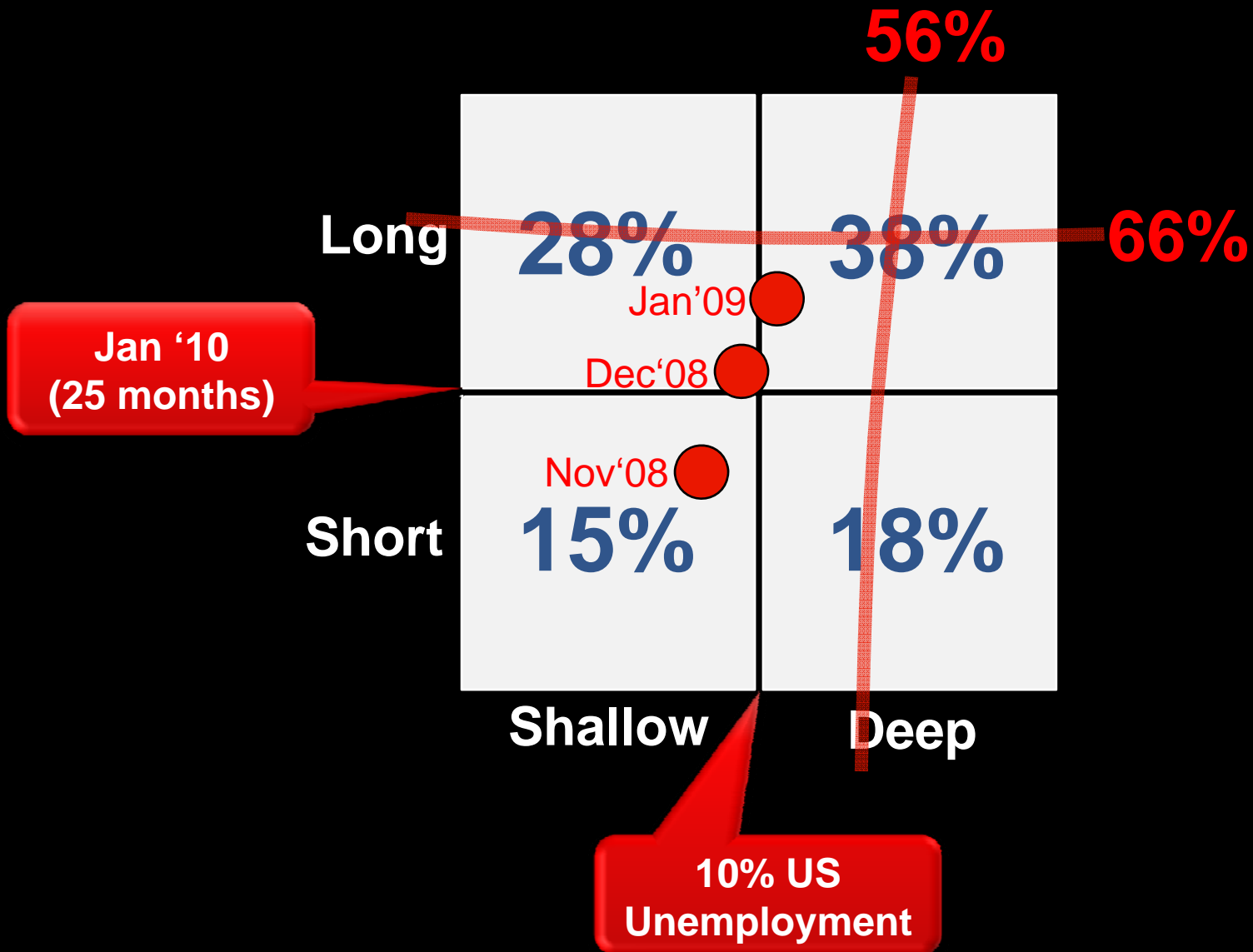
20%

30%

40%

50%

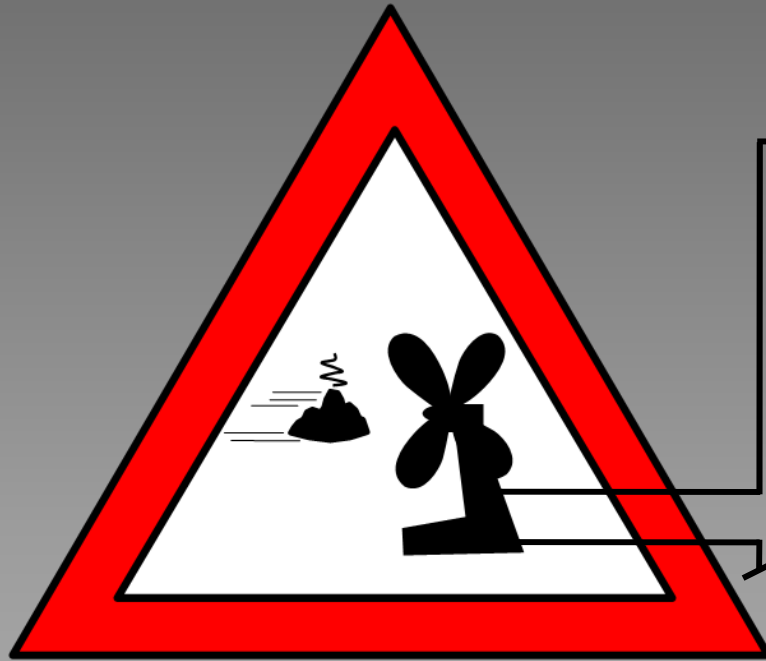
“Recession Compiler Ultra”



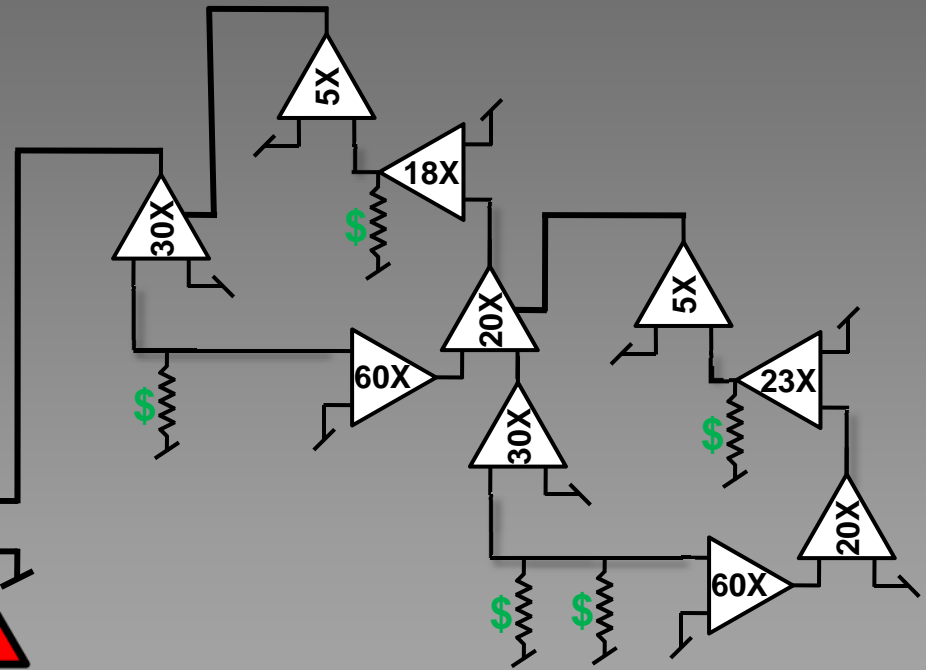
EDA Mission: Economic Fan Controller



EDA Mission: Economic Fan Controller



ECONOMY

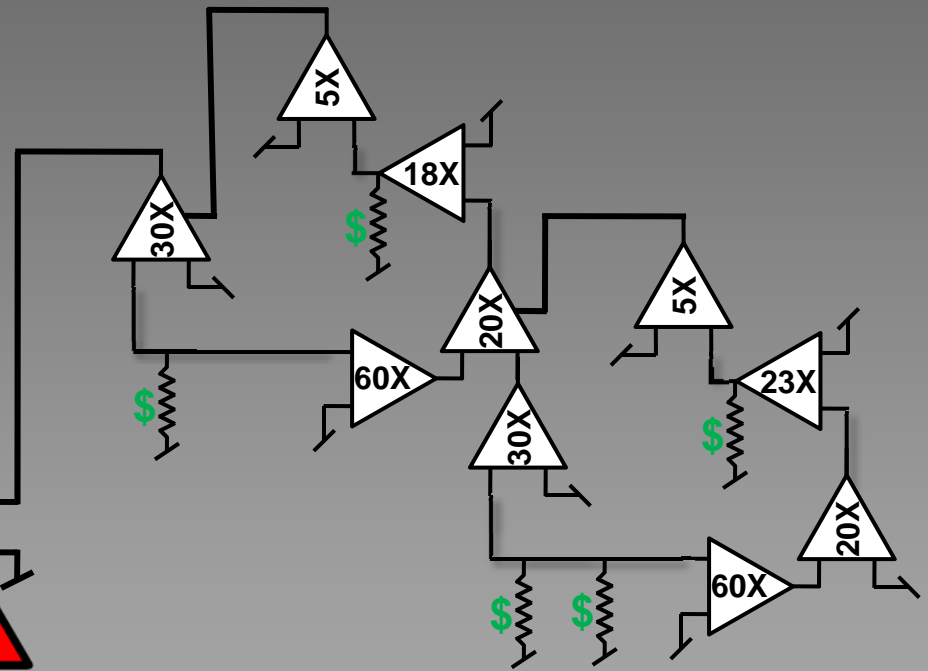


EDA

EDA Mission: Economic Fan Controller



ECONOMY



EDA